



PM-3-1855-BW



Internal evaporator fan with protective guard



Lifting cover lockable in 3 positions



Air vents blowing cold air over GN pan

→ Popular Pizza | Sandwich prep suitable for standard GN pan.

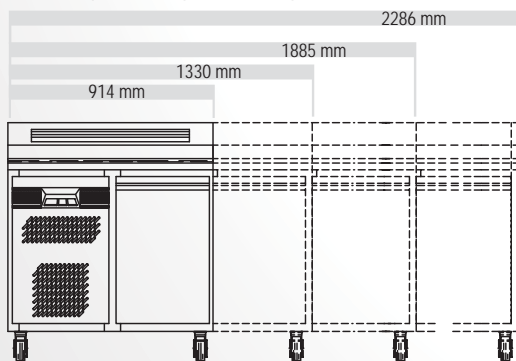
STANDARD FEATURES

- Insulation** Polyurethane foam injected under 500 tons of pressure to ensure uniformity and high structural strength.
- Finish** Tough, hygienic construction, exterior bodies are stainless steel no.4 finish. Door frame and mullion are of 430 grade stainless steel for magnetic gaskets. Interior is stainless steel 2B finish. Zincalume steel base and back.
- Door** Doors are self closing with easy replaceable magnetic gaskets. Mullion are capped with removable high strength ABS breaker strip to allow easy servicing.
- Features** Self-contained refrigeration system with back mounted evaporator coil to allow even distribution of cold air to the unit. Raised and slanted cutouts to accommodate GN pans with cutting board available as option. Unique design to have cold air hover over pans to chill the products. Insulated lift cover, lockable in 3 positions. Rubber castors.
- System** Multi-function microprocessor controlled with digital display. Use environmental friendly R-404a refrigerant to maintain temperature at 2 °C to 5 °C. Supply voltage of 220v / 50 Hz / 1 Ph with 60 Hz. models available.
- Optional extra**
 - Stainless steel work top.
 - Stainless steel wire shelves.
 - Cutting board
 - Remote condensing unit.
 - Locking plate or cylinder locks.
 - Stainless steel base and back.

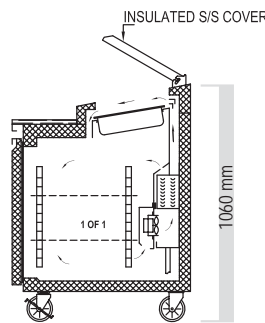
TECHNICAL DATA

Model number	PM-1-914-BW	PM-2-1330-BW	PM-3-1885-BW	PM-4-2286-BW
Dimension L x D x H (mm.)	914 x 820 x 1060	1330 x 820 x 1060	1885 x 820 x 1060	2286 x 810 x 1060
Cooling capacity (Btu.)	1146	1597	2133	2682
Condensing unit (Hp.)	1/6	1/6	1/3	1/3
PVC. coated wire shelves	2 pieces	4 pieces	6 pieces	8 pieces
Pan (100 mm. depth)	4 GN 1/3	7 GN 1/3	10 GN 1/3	12 GN 1/3

Note : 2 pans on top of the compressor section can be used to store moderate chilled product. Does not include GN pan, model for GN 1/6 is also available.



FRONT VIEW



SECTION - RH VIEW



Scan me

