



UCR-GN1B-1435
with optional cylinder locks and stainless steel work top.



Optional Cylindrical lock



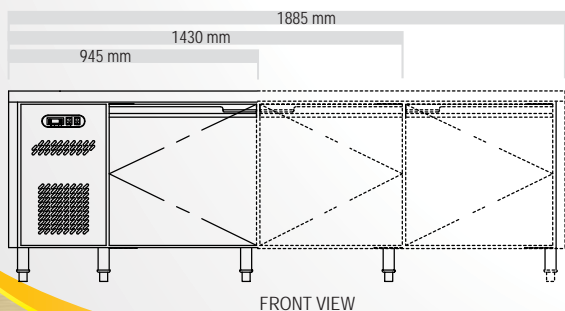
Digital controller

→ *GN 1/1 Undercounter with dimension cater for bar.*

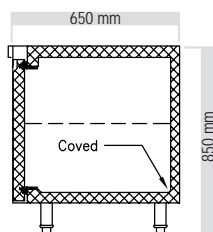
STANDARD FEATURES

- Insulation** Polyurethane foam injected under 500 tons of pressure to ensure uniformity and high structural strength.
- Finish** Tough, hygienic construction, exterior bodies are stainless steel no.4 finish. Door frame and mullion are of 430 grade stainless steel for magnetic gaskets. Interior is stainless steel 2B finish. Zincalume steel top, base and back.
- Door** Self closing door with easily replaceable magnetic gasket. Mullion heater are standard for freezer units but optional for refrigerator. Double pane heat reflective glass doors or stainless steel drawers are available as options.
- Refrigerator system** Self-contained, easily removable, left or right condensing unit or remote as option. Fitted with condensate evaporator, no drain connection required.
- Controller** Multi-function microprocessor controlled with digital temperature display.
- Refrigerant** • R404a
- Temperature range** • Refrigerator 2 °C to 5 °C • Freezer -15 °C to -18 °C
- Shelves** Complete with 1 piece PVC coated wire shelf per door.
- Options**
 - Stainless steel work top.
 - Marble or granite top.
 - Different types of splashback.
 - Remote condensing unit with side or ceiling mounted evaporator
 - 2 or 3 drawers (suit GN pan size) in place of S/S door.
 - Stainless steel wire shelf.
 - Stainless steel base and back.
 - Locking plate or cylinder locks.
 - Glass door instead of S/S door.
 - Swivel castors.
 - Pass through S/S door at the back.

TECHNICAL DATA	Refrigerated Models			Freezer Models		
Refrigerator model	UCR-GN1B-945	UCR-GN1B-1430	UCR-GN1B-1885	UCF-GN1B-945	UCF-GN1B-1430	UCF-GN1B-1885
Dimension D x H (mm.)	945 x 650 x 850	1430 x 650 x 850	1885 x 650 x 850	945 x 650 x 850	1430 x 650 x 850	1885 x 650 x 850
Capacity Cu. Ft. / Litres	6/160	12/329	17/485	6/160	12/39	17/485
Cooling capacity (Btu.)	437	846	1177	594	1105	1522
Compressor (hp)	1/4	1/4	1/4	1/2	1/2	1/2
Shelves	2	4	6	2	4	6
Power supply	220 V / 50 Hz / 1 Ph (60 Hz models are available)					



FRONT VIEW



SECTION - RH VIEW



Scan me

