

STANDARD FEATURES

Insulation	Polyurethane foam injected under 500 tons of pressure to ensure uniformity and high structural strength.
Finish	Tough, hygienic construction, exterior bodies are stainless steel no.4 finish. Door frame and mullion are of 430 grade stainless steel for magnetic gaskets. Interior is stainless steel 2B finish. Zinalume steel top, base and back.
Door	Self closing door with easily replaceable magnetic gasket. Mullion heater are standard for freezer units but optional for refrigerator. Double pane heat reflective glass doors or stainless steel drawers are available as options.
Refrigerator system	Self-contained, easily removable, left or right condensing unit or remote as option. Fitted with condensate evaporator, no drain connection required.
Controller	Multi-function microprocessor controlled with digital temperature display.
Refrigerant	R404a
Temperature range	<ul style="list-style-type: none"> • Refrigerator 2°C to 5°C • Freezer -15°C to -18°C
Shelves	Complete with 1 piece PVC coated wire shelf per door.
Options	<ul style="list-style-type: none"> • Stainless steel work top. • Stainless steel wire shelf. • Glass door instead of S/S door. • Marble or granite top. • Stainless steel base and back. • Swivel castors. • Different types of splashback. • Locking plate or cylinder locks. • Pass through S/S door at the back. • Remote condensing unit with side or ceiling mounted evaporator • 2 or 3 drawers (suit GN pan size) in place of S/S door.



GN 2/1 Undercounter with flexible configuration.

UCR-GN2-1835

with optional cylinder locks. and stainless steel work top.

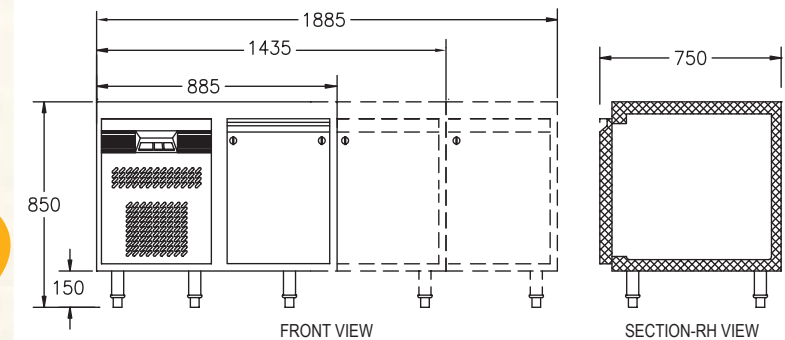


Optional Cylindrical lock



Digital controller

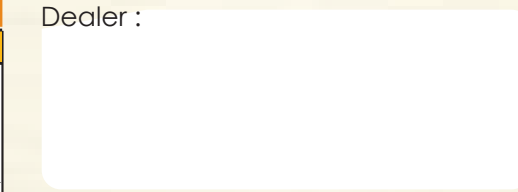
Dimension :



TECHNICAL DATA

Refrigerator model	Refrigerated Models			Freezer Models		
	UCR-GN2-1085	UCR-GN2-1835	UCR-GN2-2485	UCF-GN2-1085	UCF-GN2-1835	UCF-GN2-2485
Dimension D x H (mm.)	1085 x 765 x 850	1835 x 765 x 850	2485 x 765 x 850	1085 x 765 x 850	1835 x 765 x 850	2485 x 765 x 850
Capacity Cu. Ft./ Litres	224	527	789	224	527	789
Cooling capacity (Btu.)	659	1283	1842	837	1634	2327
Compressor (hp)	1/8	1/6	1/6	1/3	3/4	3/4
Door (s)	1	2	3	1	2	3
Power supply	220-240 V / 1 Ph (50 Hz models are available)					

Dealer :



Continued product improvement is **WELBILT** Manufacturing (Thailand) Ltd., policy. Specifications are subject to change without notice.

CAT-UCR-UCF-0308-03